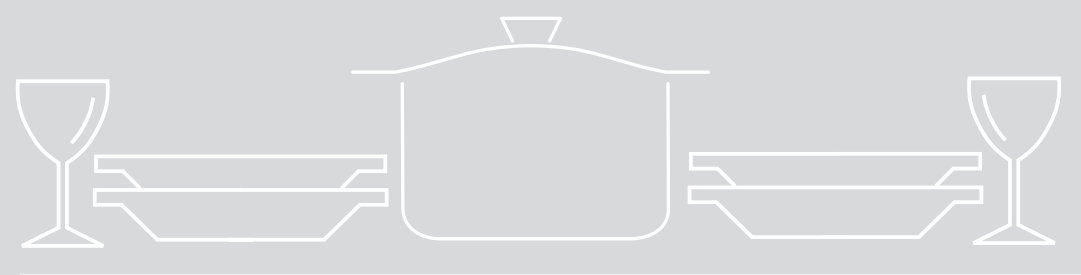


installation & operation
instructions **Dishwasher**

DWD 8657



BEKO BEKO

get the best from your new dishwasher

welcome

Dear customer

Congratulations on your choice of a Beko quality dishwasher which has been designed to give you lasting service.

Please read these instructions before installing the dishwasher and using it for the first time. The information contained herein is provided to avoid accidental risks and/or damage to your appliance

Make sure you understand the controls prior to using your appliance. The dishwasher must only be used for its intended purpose, i.e. the washing of dishes in the home. Failure to observe these instructions may invalidate your right to free service during the guarantee period.

Please keep these instructions in a safe place for your future reference

If you have any questions, or if you are not sure about any information contained in this booklet please contact us - details are on the back cover.

Beko Customer Service

Notes

Due to the quality control processes during production, there may be some water left in your machine. This does not cause any damage.

PREPARATION BEFORE USE

It is recommended that the dishwasher is operated on the Prewash or Economy programme with prewash before loading with dishes.

Guarantee for Refrigeration, Cooking Appliances, Washing Machines & Dishwashers.

Your new Beko product is guaranteed against the cost of breakdown repairs for twelve months from the date of the original purchase.

What is covered?

- Repairs necessary as a result of faulty materials, defective components or manufacturing defect.
- The cost of functional replacement parts, but excluding consumable items.
- The labour costs of a Beko approved repairer to carry out the repair.

What is not covered?

- Transit, delivery or accidental damage or misuse and abuse.
- Cabinet or appearance parts, including knobs, flaps, handles or container lids.
- Accessories or consumable items including but not limited to, ice trays, scrapers, cutlery baskets, filters and light bulbs.
- Repairs required as a result of unauthorised repair or inexperienced installation that fails to meet the requirements contained in the user instruction book.
- Repairs to products used on commercial or non-residential household premises.
- Loss of frozen food in freezers or fridge/freezers. (Food loss insurance is often included within your household contents insurance policy, or may be available separately from your retailer).

Important notes.

- Your Beko product is designed and built for domestic household use only.
- The guarantee will be void if the product is installed or used in commercial or non-residential domestic household premises.
- The product must be correctly installed, located and operated in accordance with the instructions contained in the User Instructions Booklet provided.
- Professional installation by a qualified Electrical Domestic Appliance Installer is recommended for all Washing Machines, Dishwashers and Electric Cookers
- Gas Cookers must only be installed by a CORGI (or BORD GAIS) registered Gas Installer.
- The guarantee is given only within the boundaries of the United Kingdom and the Republic of Ireland.
- The guarantee is applicable only to new products and is not transferable if the product is resold.
- Beko disclaims any liability for incidental or consequential damages.
- The guarantee does not in anyway diminish your statutory or legal rights.
- The product guarantee does not cover damages to plates, glass ware, cutlery, crockery and also damage to the product itself as a result of using these "Three-in-one", "Two-in-one" detergents.

Please keep your purchase receipt or other proof of purchase in a safe place; you will need to have it should the product require attention under guarantee.

You should also complete the details below; it will help us assist you when requesting service. (The model number is printed on the Instruction Booklet and the serial number is printed on the Rating Label affixed to the appliance)

Model No:	Serial No:	Retailer:	Date of purchase:
------------------	-------------------	------------------	--------------------------

For service under guarantee simply telephone the appropriate number below

UK Mainland & Northern Ireland

Fridges & Freezers	0845 6004903
Electric Cookers	0845 6004902
Gas & Dual Fuel Cookers	0845 6004905
Washing Machines & Dishwashers	0845 6004906

Republic of Ireland

All Refrigeration, All Cookers Washing Machines & Dishwashers	01 862 3411
--	-------------

Before requesting service please check the trouble-shooting guide in the Operating Instructions as a charge may be levied where no fault is found even though your product may still be under guarantee.

Service once the manufacturers guarantee has expired.

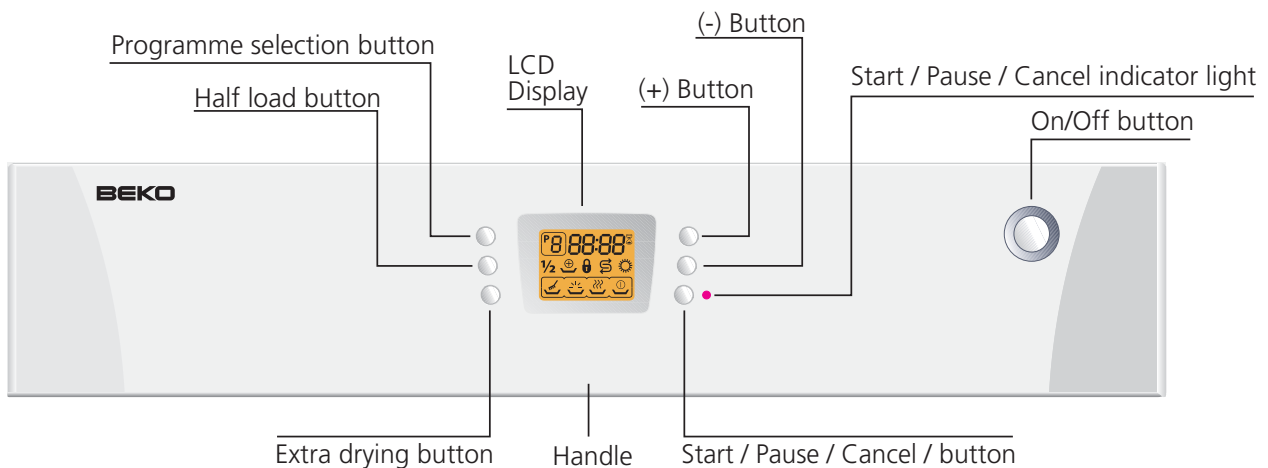
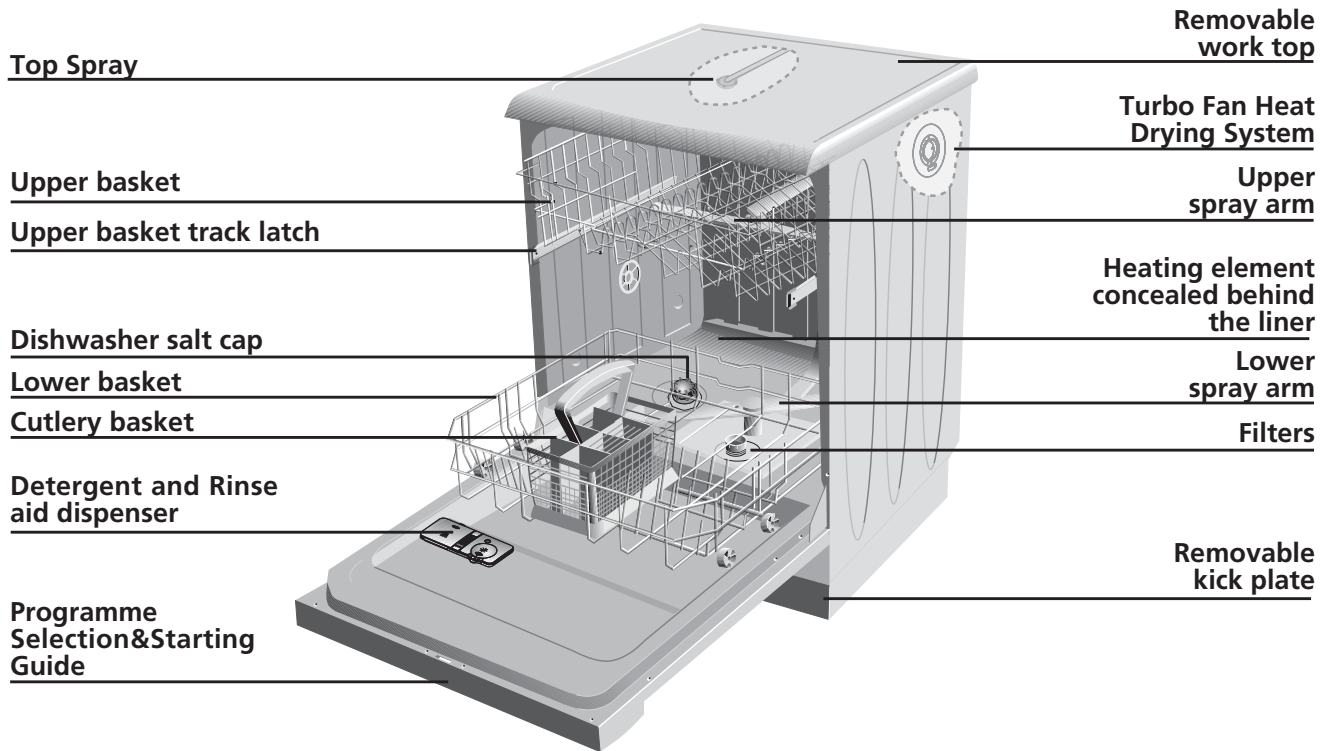
If you have purchased an extended guarantee please refer to the instructions contained within the extended guarantee agreement document. Otherwise please call the appropriate number above where service can be obtained at a charge.

Should you experience any difficulty in obtaining service please contact the Beko Customer Help-Line.
Tel: 0845 6004911 e-mail: service@beko.co.uk

**Beko plc, Beko House, Caxton Way, Watford, Herts, WD18 8UF
www.beko.co.uk**

Introduction			
Welcome	2	Half / Load button	18
Know your dishwasher / specification	4	Using your Dishwasher	19
Standards and testing information / EC declaration of conformity	4	Programme selection	19
Warning and safety information	5	Adding function to the program	19
Electrical Safety	5	Time delay	19
Children's safety	5	Child lock	20
General	5	Salt indicator	20
Recycling	6	Rinse aid indicator	20
Energy and water saving	6	Rinse aid indicator setting	20
What should not be washed in your dishwasher	6	Cancelling a programme	20
Before first use	6	Changing the programme	20
Turbo Fan Heat Drying System	6	Programme progress display	21
Installation	7	Salt and rinse aid indicators	21
Electrical requirements	7	Unloading the dishwasher	21
This appliance must be earthed	7	Programme table	22
Fitting a different plug	7	How to clean your Dishwasher	23
Water inlet hose connection	8	Stainless steel door cleaning instructions	23
Drain hose connection	8	Filters	24
Installation of dishwasher	9	Upper spray arm	24
How to use	10	Lower spray arm	24
Water hardness & Regeneration settings	10	Before calling service / Trouble shooting	25
Filling the (Water softener) Dishwasher salt	11	Guarantee	27
Detergent use	12	How to obtain service	27
Filling the detergent dispenser	13		
Rinse aid	13		
Filling the rinse aid dispenser	13		
Loading the Dishwasher	14		
Folding plate support rods	14		
Three-way split cutlery basket	15		
Upper basket height adjustment (Unloaded)	15		
Standard loading and testing institute information	16		
Operating the dishwasher	17		
Function buttons	18		
On/Off button	18		
Start / Pause / Cancel button	18		
Programme Selection button	18		
Time Delay (+) / (-) button	18		
Extra drying buttons	18		

know your dishwasher / specification



specification

Load Capacity : 12 Place settings
 Height : 850 mm
 Width : 598 mm
 Depth : 598 mm
 Depth/Height (without worktop) : 570 mm / 820 mm

Net weight : 49 kg
 Supply voltage : 220-240 V ~ 50 Hz
 Fuse current : 13 A
 Total power : 1900-2200 W
 Heater power : 2000 W
 Pump powers : 90/30 W

Diameter of plates for :
 Upper basket : 25 cm max.
 Lower basket : 31 cm max.

Because we continually strive to improve our products, we may change our specifications and designs without prior notice.

Standards and testing information / EC declaration of conformity

This appliance has been designed, constructed and distributed in compliance with the safety requirements of EC directives.
 Load capacity : 12 place settings.

73/23/EC
 89/336/EC
 93/68/EC
 IEC 436/DIN 44990
 EN 50242

Warning and safety information

Electrical Safety

The dishwasher should only be operated on the voltage specified. For electrical safety, only earthed plugs and sockets should be used. Always use the fused plug provided with the appliance. The user is responsible for meeting these basic safety requirements. The life of your machine and your safety depend on you using an electrical installation compliant to standards.

Do not use an extension cable.

When disconnecting your machine from the mains supply, always pull from the plug. Never pull the cord itself.

Children's safety

Never allow your children to play with your dishwasher.

Dishwasher detergents contain irritants and abrasives. These ingredients might have caustic effects in the eyes, mouth and throat. They can be extremely dangerous if swallowed. Avoid contact with skin and eyes. Check that the detergent receptacle is empty after completion of the wash cycle.

Keep detergents out of children's reach and do not put detergent in the machine until right before you start the washing programme.

The water in your dishwasher is not suitable for drinking, for this reason do not allow your children near your machine when the front door is open.

Never allow your children to play on or sit onto the front door when the front door is open.

After unpacking your machine, keep the packing material out of children's reach.

Warning !

Long cutlery, such as ladles and long knives, etc must be placed horizontally on top of the full cutlery basket or on the racks to prevent accidental injury.

The appliance is not intended for use by young children or infirm persons without supervision.

General

This dishwasher has been designed to clean your dirty dishes at home.

Never use chemical solvents in your machine; this may lead to explosion risk.

Never use materials other than specially produced softening salts in the salt dispenser of your machine.

Never use materials other than specially produced detergents and rinse-aids in the detergent and rinse aid dispensers of your machine.

Please dispose of the packaging material and old appliances carefully. Please ensure old machines do not become a threat to child safety. It is known that children lock themselves in unused machines. To avoid such a problem it is advised that you cut the mains cable off and break the door latch so it does not lock.

The door of your machine is designed to support the weight of a full basket when the lower basket is pulled all the way out. Never place any other load on the door, otherwise the machine may tip over.

After using the dishwasher always close the door as an open door can be a hazard.

Do not open the door whilst the appliance is in operation.

Warning and safety information

Recycling

Please help us to protect our environment. Packing materials and some parts of your machine are produced using recyclable materials. These materials are marked up with recycling symbol and material type information (>PE<, >PS<, >POM<, ...). These raw materials should not be mixed with daily garbage and should be given to recycling centers. We suggest you contact your local authority for disposal information and facilities available.



This product bears the selective sorting symbol for waste electrical and electronic equipment (WEEE).

This means that this product must be handled pursuant to European Directive 2002/96/EC in order to be recycled or dismantled to minimize its impact on the environment. For further information, please contact your local or regional authorities.

Electronic products not included in the selective sorting process are potentially dangerous for the environment and human health due to the presence of hazardous substances.

Energy and water saving

Scrape excess food from the dishes before loading. Start your dishwasher after fully loading the machine. Do not use the pre-wash programme unless required. Make your programme selection as per the programme chart and quick reference guide supplied.

What should not be washed in your dishwasher

Do not wash items soiled with cigarette ash, candle, paint wax, dyes, chemicals etc. since these may damage your machine.

Do not wash forks, knives and spoons with wooden or bone handles, items stuck together with adhesives, plastic items not resistant to high temperatures, copper, tin items and aluminium ware in your dishwasher.

As with hand washing, some "on-glaze" decorated china, aluminum or silver have a tendency to discolour or fade. Also, certain types of glassware and crystals may lose their shine and become opaque in time.

A chemical reaction can occur between silver cutlery and stainless steel cutlery. As a precaution, do not wash together.

Iron and cast iron objects can rust and stain other items.

Pay special attention to whether or not the item you wash in the dishwasher is dishwasher-proof.

If in doubt, contact the manufacturer of the item.

Do not overload your dishwasher or do not load items other than those mentioned in this manual.

Before first use

After unpacking your dishwasher, check the machine against any possible transportation damage. Never install and use damaged machines. If your machine is damaged, contact your retailer. Always have your machine installed by a qualified electrician/plumber to ensure correct installation.

Any repairs and maintenance work on this dishwasher should be carried out by authorised service staff only. Repairs conducted by third persons are not only dangerous, but also lead to the cancellation of your warranty.

Make sure the electricity and water connections of your dishwasher are in compliance with the instructions for assembly as stated in the relevant part of this booklet.

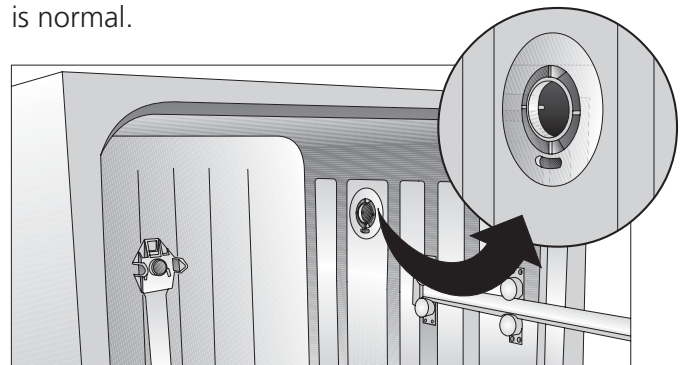
Any water remaining in the dishwasher after production should be carefully removed due to reasons of hygiene. Therefore, **always select a pre-wash programme before first use (Pre-wash or Economy programme).**

Before the first wash, **add 1 lt of water to the salt container of your machine.**

Turbo Fan Heat Drying System

Turbo Fan Heat Drying System ensures your dishes are dried efficiently.

! During operation you may hear noises which is normal.



Installation

When deciding on where to install your new dishwasher, ensure that the position of your dishwasher makes it easy and quick for you to place the dishes in the dishwasher and also to take them out and store away after the dishwashing is completed.

Avoid placing the dishwasher where the ambient temperature is likely to fall below 0 degrees C. (32° F)

When positioning your appliance, take care not to damage your flooring, pipes wall coverings etc. Do not move the appliance by pulling by the door or handle

Electrical requirements

Before you insert the plug into the wall socket make sure that the voltage and the frequency shown in the rating label corresponds to your electricity supply.

We recommend that this appliance be connected to the mains supply via a suitable switched and fused socket in a readily accessible position.

Should the mains lead of the appliance become damaged or need replacing at any time, it must be replaced by a special purpose made mains lead which can only be obtained from a Beko Authorized Service Agent.

If the supply cord or the mains lead is damaged please do not replace it by your own. The supply cord or the mains lead must be replaced by a Beko Authorized Service Agent personnel or a similarly qualified person.

Warning

This appliance must be earthed

If the fitted moulded plug is not suitable for your socket, then the plug should be cut off and an appropriate plug fitted.


Destroy the old plug, which is cut off as a plug with a bared cord could cause a shock hazard if inserted into a socket elsewhere in the house. The moulded plug on this appliance incorporates a 13A fuse. Should the fuse need to be replaced an ASTA approved BS1362 fuse

of the same rating must be used. Do not forget to refit the fuse cover. In the event of losing the fuse cover, the plug must not be used until a replacement fuse cover has been fitted. Colour of the replacement fuse cover must be the same colour as that visible on the pin face of the plug. Fuse covers are available from any good electrical store.

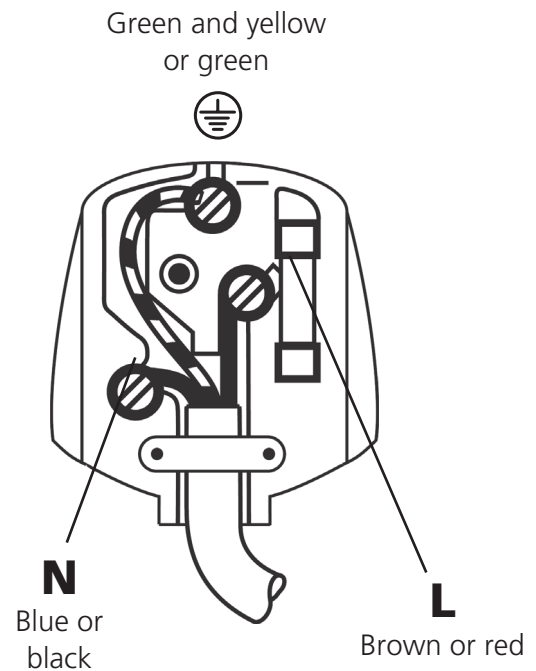
Important

Fitting a different plug

As the colours of the wires in the mains lead of this appliance may not correspond with the coloured markings identifying the terminals on your plug, proceed as follows:

- 1 Connect the green - yellow or green (earth) wire to the terminal in the plug marked 'E' or with the symbol  or coloured green and yellow or green.
- 2 Connect the blue (neutral) wire to the terminal in the plug marked 'N' or coloured black.
- 3 Connect the brown (live) wire to the terminal in the plug marked 'L' or coloured red.

With the alternative plugs a 13A fuse must be fitted either in the plug or adaptor or in the main fuse box. If in doubt contact a qualified electrician.



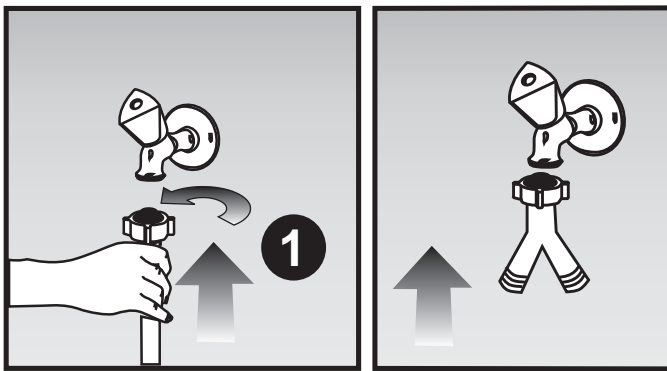
Installation

Water inlet hose connection

Make sure your plumbing is suitable to install your new dishwasher. If in doubt contact a qualified plumber.

The appliance must be connected to the water mains using the new hose set supplied with your new dishwasher. Old hose sets must not be re-used.

The water pressure coming from the water mains supply must be a minimum of 0.3 and a maximum of 10 bars.



Connect the straight end to your water mains supply **1** Ensure plastic filter and black rubber seal is in place.

Please turn on the tap and check for leakages after connecting the hose.

Please ensure the tap is turned off when the machine is not used;

If you only have one cold water feed (For example for your washing machine) don't worry. a **Y** adaptor will provide you with the additional cold water feed you need for your dishwasher. **Y** adaptor is available from most DIY stores.

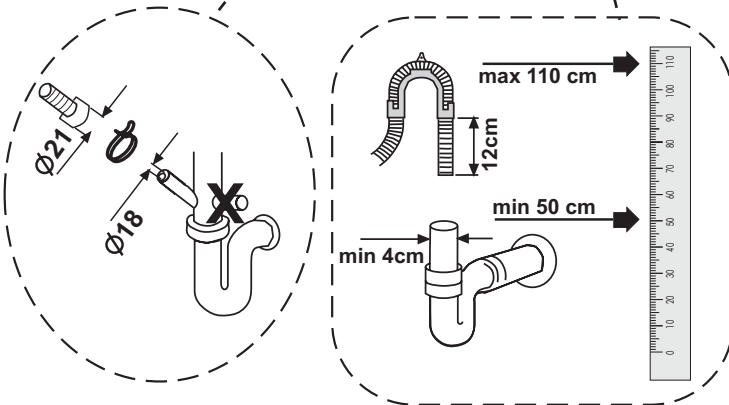
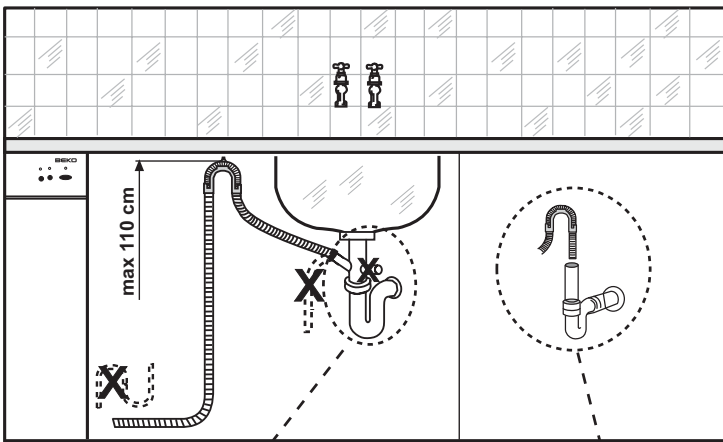
Drain hose connection

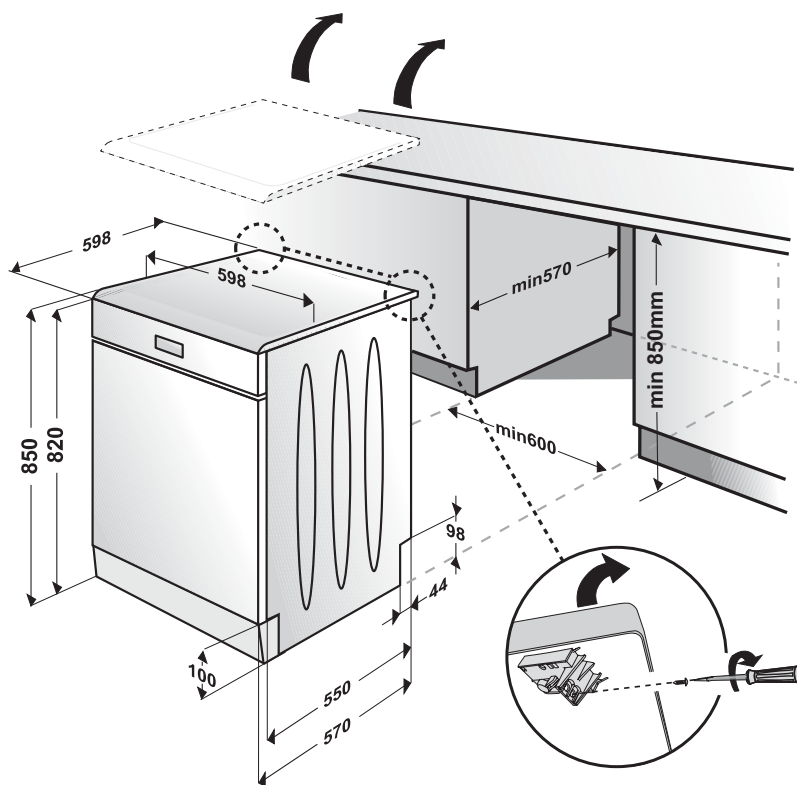
- Fit the drainage hose of your machine to the drainage pipe without bending.

- Secure your hose firmly to the waste pipe to avoid it coming off during the washing process.

- The waste pipe must only be connected into the foul drains and not surface water drainage system.

- The hose should be placed between 50 cm and 110 cm from the floor level and must not be extended otherwise the machine may not empty the waste water.





Installation of dishwasher

Remove all packaging before positioning the machine.

See the following diagram. Ensure there is a clearance each side of the machine to allow slight side ways movement for servicing.

Note :

Work top of your dishwasher is removable if required. Height without the work top is 820 mm.

By removing the machine's worktop, you can install it under a close fitting sink unit or a pre-existing top, if the dimensions of the recess correspond to those shown in the picture.

Position the machine next to a water tap and a drain.

When inserting the machine, ensure that the water inlet and drain hoses are not kinked or squashed.

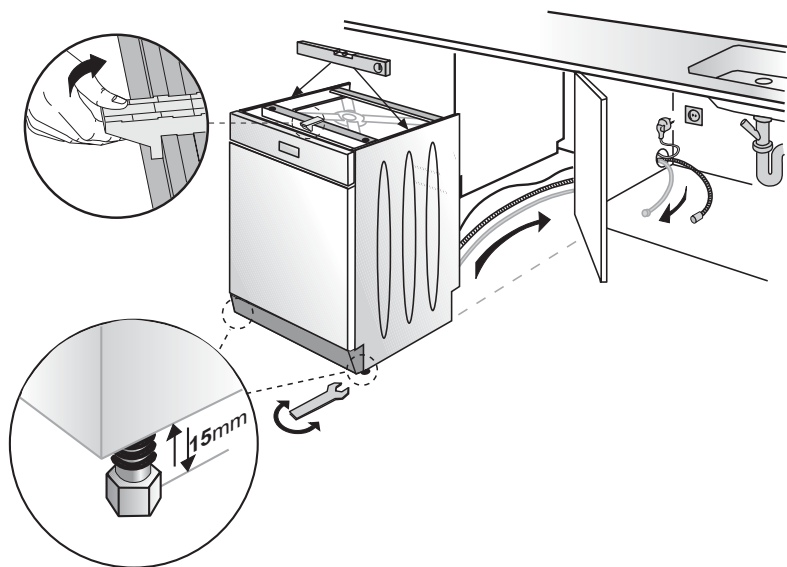
Care must be taken to ensure that the appliance does not stand on the electrical supply cable.

Good levelling is essential for correct closure and sealing of the door,

Make sure your dishwasher is perfectly level using the adjustable feet.

When the appliance is correctly levelled, the door will not catch on the inner liner on either side of the cabinet.

If the door does not close correctly, loosen or tighten the adjustable feet, until the machine is perfectly level.



How to use

Water Hardness & Regeneration settings:

Warning !

The electricity and water connections of the dishwasher must be in compliance with the instructions in this booklet.

Dishwashers require fairly soft water. If the hardness exceeds 6°dH lime scale will form on crockery. To avoid this an automatic system adds a special salt to soften the water so that you obtain the best possible cleaning and drying performance.

To find out the hardness level of your water contact your local water company, or use the enclosed test strip to measure the water hardness:

Test Strip

a Remove the test strip from its packing.

b Let the water flow from your tap for 1 minute.

c Fill a glass with tap water and dip the test strip into water for 1 second.

d Take the test strip out of the water and shake it.

e Hold for 1 minute.

f Set the water hardness level of your dishwasher according to the result shown by the test strip.

Level 1		No Lime
Level 2		Very low lime content
Level 3		Low lime content
Level 4		Medium lime content
Level 5		Lime content
Level 6		High lime content

Water Hardness Level

Hardness Level	Clarke degree s°dE	German degrees °dH	French* degrees °dF	Position of the Programme Knob	Hardness Level Displayed
Level 1	0-6	0-5	0-9	1	Display will show r1
Level 2	7-14	6-11	10-20	2	Display will show r2
Level 3	15-21	12-17	21-30	3	Display will show r3
Level 4	22-28	18-22	31-40	4	Display will show r4
Level 5	29-42	23-34	41-60	5	Display will show r5
Level 6	43-56	35-45	61-80	5	Display will show r5

°dH: German degree 1 °dH = 1 mg CaO/100 ml Water = 0.179 mmol

- Press the Program Selection Button before you switch the appliance on and keep this button pressed down.
 - Switch the appliance on using the On/Off Switch, then release the switch.
 - Hold the Program Selection Button down for 3 seconds.
 - The default regeneration phase recorded in your machine will be shown in "r..." format and Start / Pause / Cancel indicator light will start flashing. "r1" will appear on the screen if the regeneration phase recorded in your machine is "r1".
 - Release Program Selection button.
 - Water hardness can be set to the desired level by pressing the (+) and (-) buttons. (Compare the test strip with the Degrees of Hardness Table). The display shows the appropriate message.
 - Once you have set the hardness level press the Start / Pause / Cancel Button to save the value. The Control Indicator on the Start/Pause Button now lights up permanently.
- ⚠ If the hardness level is saved as "r1", the salt level warning will never light under any circumstances regardless of the amount of salt left in the salt container.

If the water hardness at your location is over 45°dH, you should consider using a water-softening device for your dishwasher.

When using well or rain water, the installation of pre-filter is recommended.

After moving house, remember to reset the water hardness for your new location.

How to use

Filling the (Water softener) Dishwasher Salt

Only use special pelletized dishwasher salt in your machine to soften the hard water. Never use other types of salts including table salt, animal feeding salt, sea salt, culinary salt. These types of salt do not dissolve in water easily and will damage your appliance beyond repair.

When you run the dishwasher, the Water softener will be full of water. **Therefore, adding softening salt should always be done immediately before you start the dishwasher.**

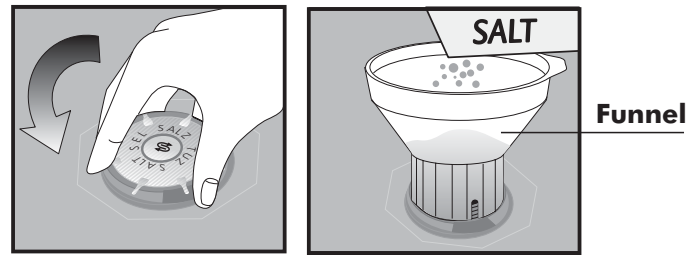
Caution : Only fill with salt just before starting one of the complete washing programmes to prevent any grains of salt causing corrosion.

You can put approximately 2 kg softening salt in the Water softener.

To fill the container with softening salt, remove the lower rack first and unscrew the cap of the water softener turning anti clockwise .

Using the funnel provided will make filling easier.

After you fill the container, screw cap tightly back into place turning clockwise until you hear a click sound.



How to use

Detergent use

Any brand of powder, gel and tablet detergents that have been designed for household dishwasher, may be used.

Keep detergents in a cool and dry place and out of the reach of children.

Detergent must be added to the container before each use.

Detergent overdose may cause scratches on your dishes and there may be traces of detergent left in your machine.

Three types of detergent are available

- Phosphate and containing chlorine.
- Phosphate containing no chlorine
- Neither containing phosphate nor chlorine

New compact powders are generally phosphate-free. As phosphates have water softening properties, we suggest you add salt to the salt container even if the hardness of your water is as low as a 6 clark degrees.

In hard water areas if a phosphate free detergent is used, white marks on the dishes and glasses may be observed. It may be prevented by increasing the amount of detergent.

Detergents without chlorine have less bleaching effect. Coloured stains may not be completely removed. This may be prevented by increasing the amount of detergent, using a programme with a higher wash temperature or using a detergent with chlorine.

Warning!

Two-in-one and Three-in-one detergents

You will obtain the best results from your dishwasher if you use separate detergent, rinse aid and water-softening salt.

Detergent manufacturers also produce combined detergents known as 'two-in-one' and 'three-in-one'.

Three-in-one: These products contain detergent, rinse aid and water-softening salt.

Two-in-one: These products contain detergent and either rinse aid or water-softening salt.

In general, you will obtain satisfactory results from combined detergents only under specific usage conditions. These detergents contain predetermined amounts of rinse aid and/or softening salt. This means that you cannot adjust the amount of water-softening salt and rinse aid required to suit the water hardness level in your home.

You should bear the following points in mind when using such detergents:

- Be sure to check the specifications of the product you are using and whether it is a combined product or not.
- Follow the instructions on the packet when using these products.
- The use of these products at the correct appliance settings will ensure economical use of salt and/or rinse aid.
- If the detergent is in tablet form, never place these in the internal section or cutlery basket of the dishwasher. Always place the tablets in the detergent dispenser of the detergent holder.

Using three-in-one detergent: detergent, softening salt and rinse aid

- These detergents will not give you the same drying performance that you can obtain by using separate detergent, salt and rinse aid. To increase the drying performance:

- Put your appliance's rinse aid setting at "1" and apply rinse aid. When the rinse aid is used up, add more rinse aid to the rinse aid dispenser.

- If you use combined detergents with a rinse aid setting higher than 1, hand contact may leave rainbow-coloured water stains on the washed items and inside the machine.

- If you use combined detergents without adding salt, lime scale may form especially on glasses. To avoid lime scale formation:

- Put your appliance's water softener setting at "1" and add salt. When the salt is used up, add more salt to the water softener.

Using two-in-one detergent: detergent and softening salt

- These detergents do not contain rinse aid so you need to use the rinse aid setting as described in the manual, making sure that there is rinse aid in the rinse aid dispenser with every wash and that you refill the rinse aid dispenser with rinse aid every time it is empty.

Using two-in-one detergent: detergent and rinse aid

- These detergents will not give you the same drying performance that you can obtain by using separate detergent, salt and rinse aid. To increase the drying performance:

- Put your appliance's rinse aid setting at "1" and apply rinse aid. When the rinse aid is used up, add more rinse aid to the rinse aid dispenser.

- If you use combined detergents with a rinse aid setting higher than 1, hand contact may leave rainbow-coloured water stains on the washed items and inside the machine.

- These detergents do not contain softening salt so you need to use the softening setting as described in the manual, making sure that there is salt in the water softener with every wash and that you refill the water softener with salt every time it is empty.

Important warning

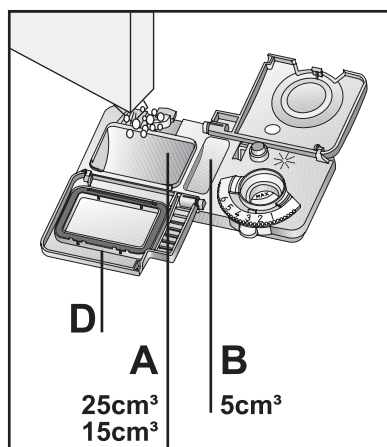
- Should you encounter a problem that has previously never occurred after you start using these detergents, contact the detergent manufacturer directly. You will find contact details on the packet.

If you stop using this kind of detergent:

- Ensure that the salt and rinse aid dispensers are full.
- Put the water hardness setting at the highest level and run a wash cycle with the appliance empty.
- After washing while empty, return the water hardness setting to the correct level for your mains water hardness shown in the manual.
- Put the rinse aid setting at the correct level.

Filling the Detergent dispenser

If the dishwasher is considerably full and the dishes are relatively dirty, fill the main container (A) up to 25cm³ level. If the dishwasher is not quite full and



the dishes are only slightly soiled, fill the main container (A) only up to 15cm³ level.

If your dishes are kept unwashed for a long time and the food particles are stuck on the dishes also fill the small container (B) up to 5cm³. Depending on the degree of soiling and the water hardness in your

area it may be necessary to add more detergent.

Powder and gel detergents are poured into the dispenser.

If you are using tablet detergent read the manufacturer's recommendations on the packaging in order to determine where the tablets should be placed inside the dishwasher (detergent dispenser, cutlery basket, etc.)

After you put in the detergent, shut the container lid (D) and ensure you hear the clicking sound. During the wash programme the detergent will dispense automatically and the lid (D) will remain open when the programme finishes.

Do not use detergent when using the pre-wash programme.

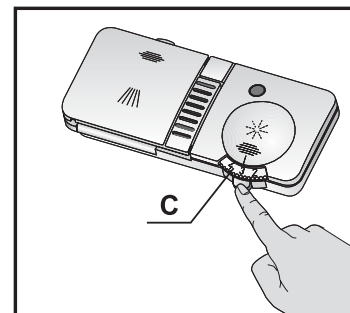
How to use

Rinse aid

Use only rinse aid intended for household dishwashers.

The rinse aid is specially formulated to be used in the dishwashers for the prevention of watermarks and scale on dishes and to increase the efficiency of the washing and drying processes. Therefore, make sure that there is adequate amount of rinse aid in the rinse aid dispenser of your machine.

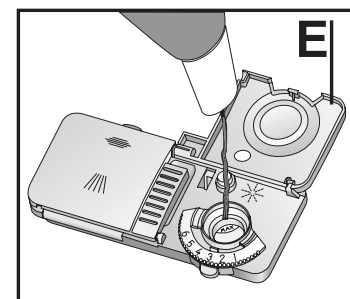
can adjust the amount of rinse aid used during the wash programme by turning the rinse aid dispenser regulator (C).



(C) may be set between levels 1 and 6 (6 being the maximum amount of rinse aid usage). Your machine is pre-set at the factory to level 4.

According to the finish and drying results obtained, adjust the dose of rinse aid by means of the six position selector. (Position 1: minimum dose, Position 6: maximum dose.)

Gradually increase the dose if there are drops of water or lime spots on the dishes after washing. Reduce it if there are sticky whitish streaks on the dishes.



Filling the rinse aid dispenser

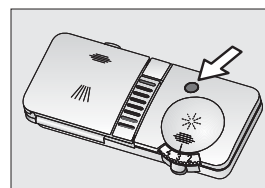
Open the rinse aid dispenser lid by pressing the button as shown in the diagram.

Fill up with rinse aid until the container is full to level of 'max' mark .

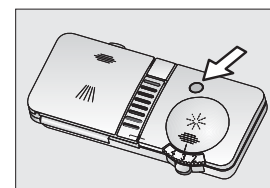
Put the lid (E) on and ensure you hear the clicking sound.

Remember to CLOSE the lid after every refill. Make sure you clean any rinse aid that you might have spilled.

Visual indicator



Dark = sufficient rinse aid



Light = add rinse aid

How to use

Loading the dishwasher

Loading the dishwasher correctly will increase the washing, drying and energy performance of your machine. Examine the information given in this section and the information stated in the Programme chart and quick reference card given with the manual.

Remove any large scraps of food from the dishes before placing in the dishwasher to avoid clogging the filters.

There are three separate baskets, in which you can put your dishes.

Place large or heavily soiled items in the lower basket, and small, light or delicate articles in the upper basket. Put forks, small and medium size knives and spoons in the cutlery basket.

Place tall, narrow items in the middle of the racks.

Long-stemmed glasses should lean against the basket, the racks, or the supports not against the dishes.

The shelves on the rack are made height adjustable to accommodate tall items.

When loading your dishwasher please ensure tall glasses (and/or wine glasses) rest against the sides of the upper basket. Do not allow tall glasses to rest against each other since they may be damaged during washing if not properly supported.

Always arrange saucepans, cups and glasses etc. up side-down.

You can fold the racks in the upper basket when you need more space for larger items.

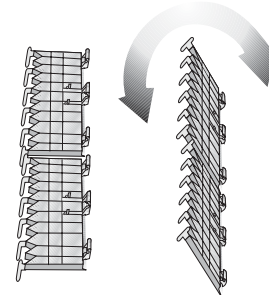
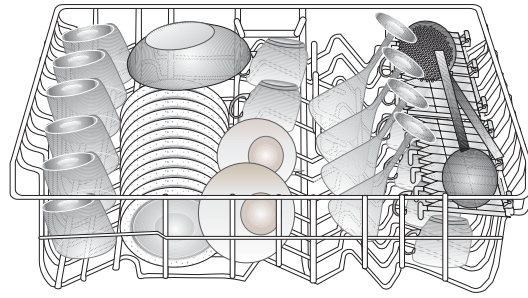
An optional Glass Holder part is available that could be fitted to the upper basket as shown in the diagram.

The Glass Holder is suitable for use with long stemmed glasses.

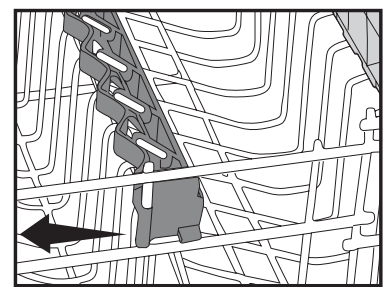
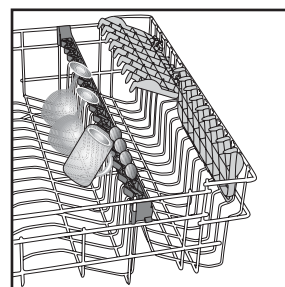
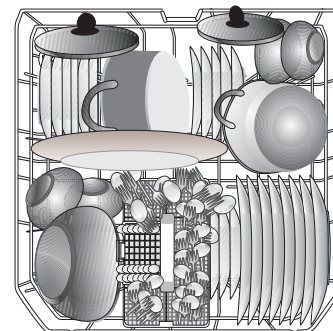
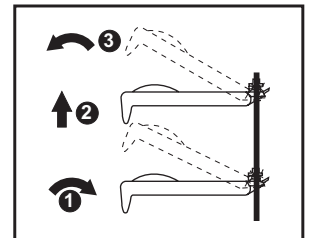
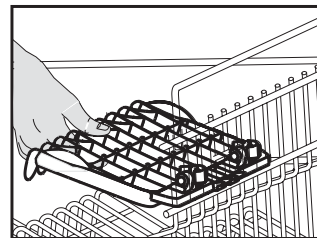
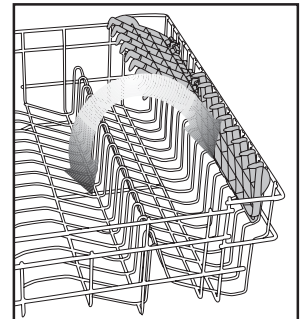
If you wish to purchase this optional Glass Holder, please contact Beko Customer Service.

Folding Plate Support Rods

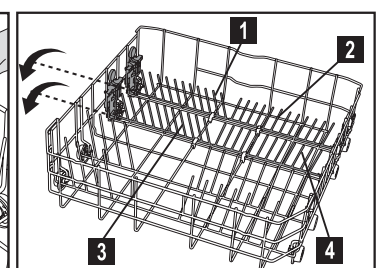
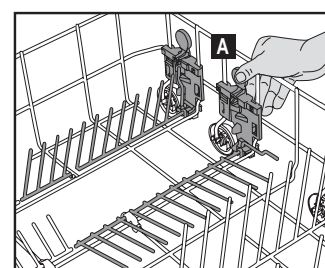
There are four separate "folding plate support rods" in the lower basket of your dishwasher designed to allow you more space to accommodate saucepans and large bowls in the lower basket. You can either fold each section (1,2,3,4) individually or, all at once, to create a large empty space. Simply press the handgrips (A) and fold them down "



Folding of racks



Glass holder



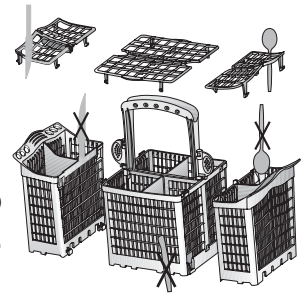
How to use

Place larger items such as saucepans in the lower basket.

You can remove the cutlery basket to make room for other items. Place spoons and forks in the cutlery basket with handles down and knives with handles up to prevent accidental injury.

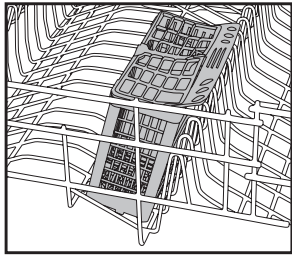
Warning !

Long cutlery, such as ladles and long knives, etc must be placed horizontally on top of the full cutlery basket or on the racks to prevent accidental injury. Handle of the cutlery basket is not removable



Three-way split cutlery basket

Depending on the amount of load and load type, three-way split cutlery basket can be split into three parts. Part B and/or part C can be placed in the upper basket.



To dismantle the three-way split cutlery basket follow the below instructions and see the diagrams supplied.

Rotate handgrip which is at the bottom of handle.

Remove top and bottom hangers by sliding each part in opposite direction. If you want to reassemble the cutlery basket, the reverse of the above operations should be carried out.

Part A can not be placed in the upper basket.

Long cutlery, such as ladles and carving knives, should not be placed in the upper basket parts B or C. They can be placed on the side racks on the upper basket horizontally.

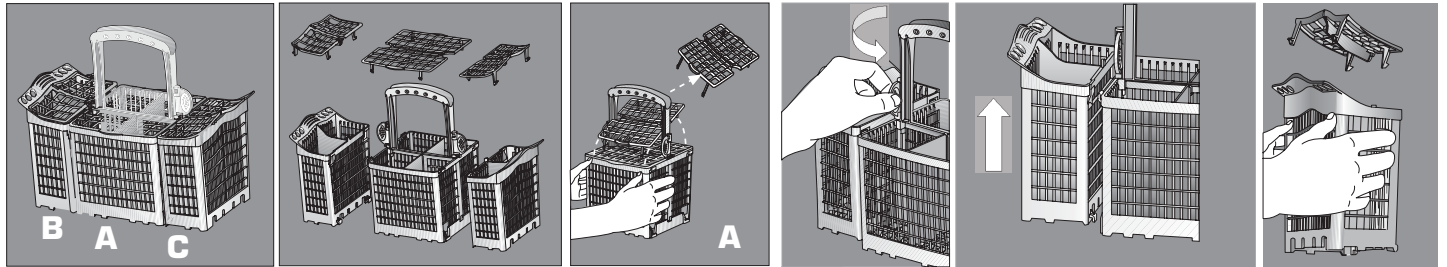
In order to obtain the best cleaning and drying performance in cutlery basket, use the separators of parts A, B and C. To remove the separators follow the below instructions

For Part A ;

Press to release catches on sides and the separators can be pulled off.

For Parts B and C;

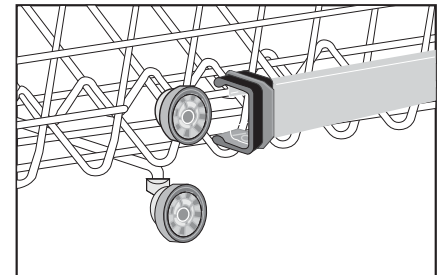
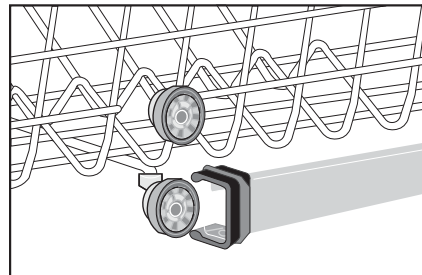
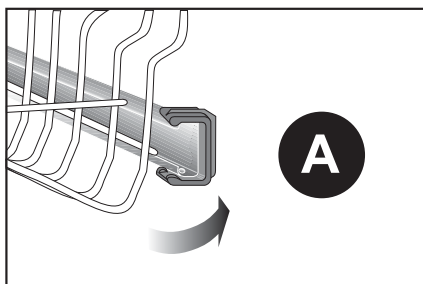
Press to release catches on sides and the separators can be pulled off.



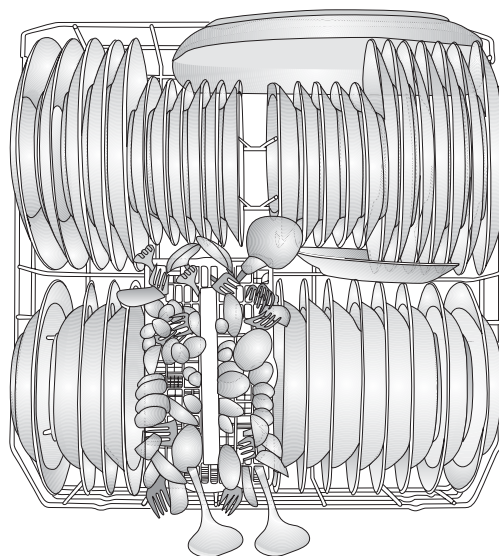
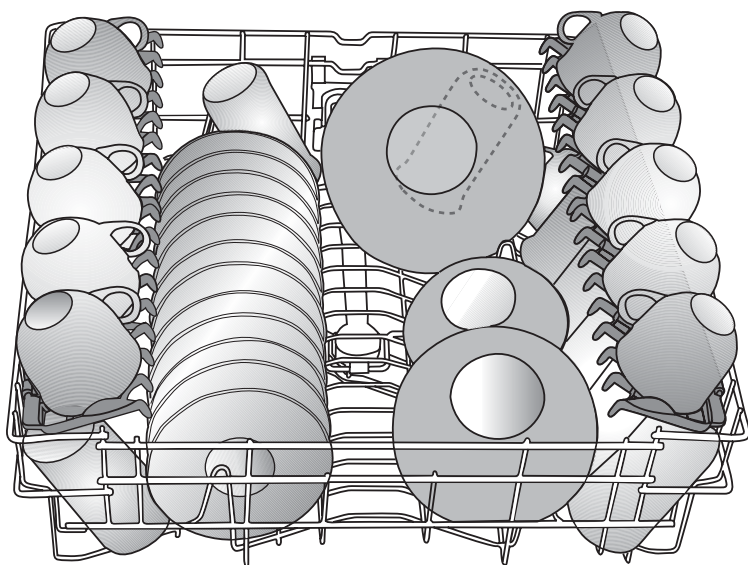
Upper Basket Height Adjustment (Unloaded)

The factory fitted position of the upper basket is the higher position. That is lower wheels are engaged. According to the size of the dishes you can change the position of the upper basket. To do this.

Release the latches on both the right and left tracks by turning them sideways. **A** Pull out the basket completely. Insert the other set of wheels and place the basket back on the track then shut the latches.



Standard Loading and Testing Institute Information



Loading capacity:

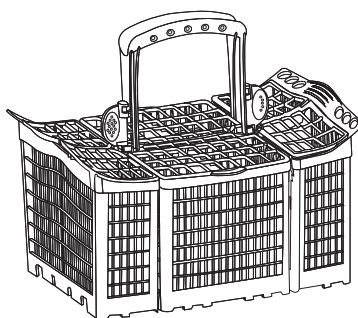
Lower and upper baskets: Standard 12 place settings

Detergent:

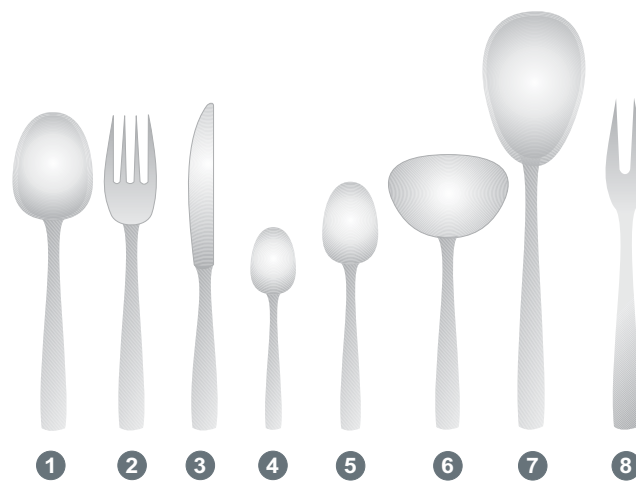
5+25 gr. as compliant to EN 50242-DIN 44990.I EC436 international norms

Testing programme :

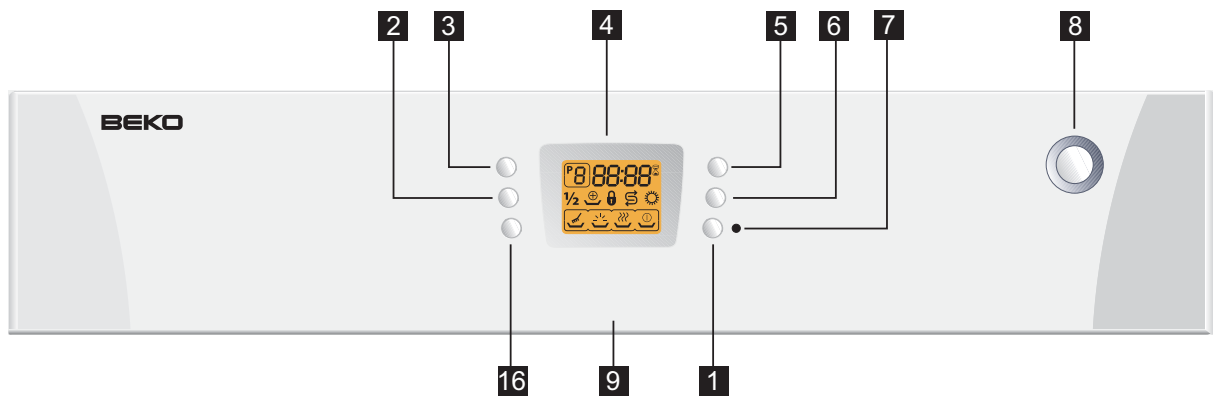
Economy 50°C as compliant to EN 50242 international norms



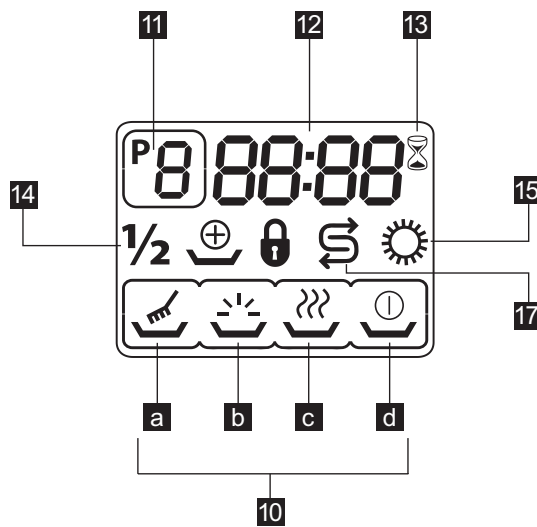
6	3	1	1	3	8
3	2	2	2	2	3
3	1	2	2	1	3
4	5			4	4
4	1			1	4
4	5			4	4
4				4	4
5	4			5	5
5	4			5	5
5	1			1	5
5				5	5
3	1	2	2	1	3
3	2	2	2	2	3
1				1	7
	3	7	1	3	7



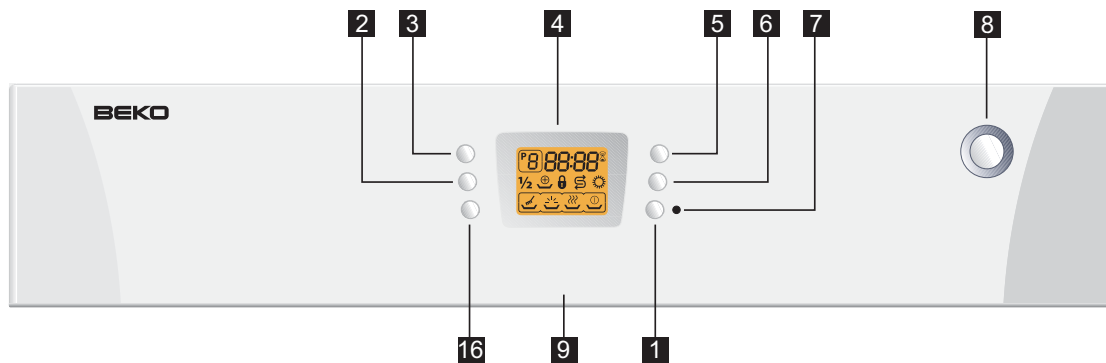
Operating Your Dishwasher



- | | |
|--|---|
| 1 Start / Pause / Cancel button | 6 (-) Button |
| 2 Half load button | 7 Start / Pause / Cancel indicator light |
| 3 Programme selection button | 8 On/Off button |
| 4 Display | 9 Handle |
| 5 (+) Button | 16 Extra drying button |



- | | |
|--|----------------|
| 10 Progress indicators | a Wash |
| 11 Program display | b Rinse |
| 12 Time display - Program and delay | c Dry |
| 13 Time delay active indicator | d End |
| 14 Half / Load active indicator | |
| 15 Rinse agent indicator | |
| 17 Salt indicator | |
| 18 Child lock | |
| 19 Extra dry | |



Function buttons

On/Off Button (8)

Use this button to turn your dishwasher on and off. When switching on the dishwasher, the last programme selected is shown in the display.

If any additional function (such as half load) is chosen during the last program they will remain active after switching the dishwasher off and on.

Start / Pause / Cancel Button (1)

You use this button to start the selected programme. Start / Pause / Cancel indicator light (7) will come on. Use the Start / Pause / Cancel button to Stop the programme if you would like to open the door while the dishwasher is running.

Programme Selection Button (3)

Use the programme selection button to select the desired programme. You can follow up the program you are in from the display (11, 12) on the screen.

Time Delay (+) / (-) Button (5,6)

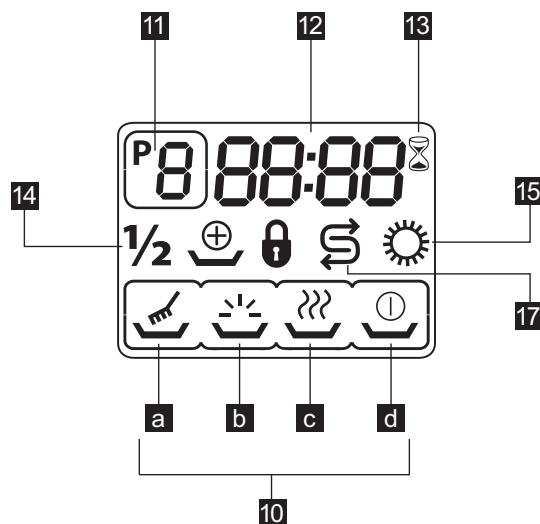
By using the Time Delay buttons, you may delay the start up time of the program you have selected up to 24 hours in periods of 30 minutes. Time delay active indicator (13) will flash as you select the time delay period or when you pause the countdown by pressing Start / Pause / Cancel button 1. While time delay countdown is running, the Time delay active indicator (13) will keep on lighting.

Extra drying button (16)

Provides high level drying performance. When the extra drying function is selected ☺ icon will light.

Half / Load button (2)

If you wish to run your dishwasher as half loaded, place your dishes in the machine in any order you desire. First, press On / Off button. Press Half Load button (2) after you select the program you like. Be sure that Half Load active indicator (14) 1/2 lights on the screen. Start the program by pressing Start / Pause / Cancel button. With the Half Load option you can save both water and energy while you are using both the upper and the lower baskets of your machine.



Using Your Dishwasher

- Turn on the water tap and plug in the appliance.
- Open the door and load the dishwasher. Check that both the upper and lower sprayer arms can move freely.
- Add the appropriate amount of detergent to the dispenser and close the door.
- Use the On/Off button to switch the appliance on.
- Check the control indicators for salt **(17)** and rinse aid **(15)**. Refill salt and rinse aid if required.
- Use the programme selection button to select your washing programme as shown in the programme table (see page 22).
 - The duration of the selected programme is shown in the display **(12)**.
 - If required, you can use the option buttons **(10&2)** to adjust the washing programme to suit your needs.
- Use the Start/Stop button to start the programme.

Warning !

Avoid opening the door during the washing process. This interrupts the washing process, and hot steam will escape. Close the door to continue the programme.

- When the washing programme has finished, the corresponding symbol lights up; the remaining time indicator now shows 00:00.
- Shut off the appliance by pressing the On/Off button
- Close the water tap and unplug the device from the mains.
- Allow your dishes to cool for 15 minutes with the door open. Unload the dishes, starting with the lower basket.



Programme selection

You can select the program you like after turning on the machine by pressing On / Off button. Select the program you would like to operate by pressing program selection button. You can follow up the program you are in from the program display on the screen. The program number on the display will increase one by one as you keep on pressing the program selection button. The selected washing program will start operating when you press Start / Pause / Cancel button. As the program starts up, the estimated remaining time until the end of the program will be shown by the time display. Total time of program may be different from the one displayed initially as the time of washing will vary depending on the room temperature, supplied water temperature, reprocessing the water softening unit (regeneration) and amount of the dishes.

Adding Function to the Program:

You can run program by activating Half Load $\frac{1}{2}$, Extra Drying ☀ and Time Delay ⌚ functions by using the function buttons. To add a function to the program:

1. Select a program by pressing Program selection button.
2. Press the button of the function you want to activate and be sure that the lamp of the relevant function display lights on the screen.
3. You can start your program by pressing Start / Pause / Cancel button.

Operation of the machine will not change even if the extra drying function is selected in the Pre-wash, Economy 50°C, and Automatic Wash 40°C-65°C programs.

Time Delay

You may delay the startup time of the program you select up to 24 hours. Delay cannot be set after the program is started. To adjust the delay time, the selected program must not be started.

When any of the time delay buttons is pressed, Time Delay Active Indicator ⌚ starts flashing. Set the desired time by pressing (+) or (-) buttons. Press Start / Pause / Cancel button after completion of time setting. The Time Delay Active Indicator will light on the screen throughout the countdown for the delay, meanwhile the remaining time will be shown on the time display. The program will automatically start as soon as the countdown comes to an end.

If there is any economical power tariff in your area fixed for certain periods of time, you may benefit from the Time Delay feature.

Press Start / Pause / Cancel button first to switch your machine into pause mode if you want to make any changes in the program or function while the Delay function is on. You will observe that the countdown is paused. Select programs and/or add functions you desire. Resume the delay phase and the countdown from the point they were paused, by pressing Start / Pause / Cancel button.

Press Start / Pause / Cancel button for three seconds if you want to make any cancellation while the machine is in Delay mode. Release the button when the Start / Pause / Cancel light and the "≡" display on the program display start flashing. The machine will process the necessary operations required for cancellation for a couple of minutes. The delay is cancelled when the Start / Pause / Cancel indicator light goes off and "End" (10 d) lights on the program follow-up display. You may select and operate a new program after cancellation process is over.

Press Start / Pause / Cancel button first to switch your machine into pause mode if you want to adjust a new time setting for the delay while the Delay function is on. Set the desired time by pressing (+) or (-) buttons. Start the delay countdown for the new time you have fixed by pressing Start / Pause / Cancel button again.

Child Lock

Press program selection and half load buttons at the same time for three seconds to activate the child lock. Child lock indicator appears on the screen. Repeat the same step to deactivate the child lock. Child lock does not lock the door of the machine; rather it prevents changing the selected program or functions and deactivates Start / Pause / Cancel button.

Salt Indicator

Please check the salt indicator (17) on the display to see whether there is enough softening salt in your machine or not. You must refill the salt container when the salt indicator comes on. **If the water hardness level is stored as (r1), salt indicator will never come on even if the salt container is empty. (Adjusting the water hardness level is explained in "Softening the Water" section.)**

Rinse Aid Indicator

Please check the rinse aid indicator (15) on the display to see whether there is enough rinse aid in your machine or not. You must refill the rinse aid container when the rinse aid indicator comes on. **If the Rinse Aid Indicator is set to (OFF), rinse aid indicator will never come on even if the rinse aid container is empty.**

Rinse Aid Indicator Setting

- When your machine is switched off, press Half Load ½ button (2) and then On / Off button (8) to switch it on.
- Hold Half Load ½ button (2) pressed and release On / Off button (8).
- Keep Half Load ½ button (2) pressed for three seconds. Rinse Aid Indicator (15) comes on and the stored rinse aid indicator status of your machine appears on the display in the format of "ON" or "OFF".
- You can change the status of the indicator as "ON" or "OFF" with Start / Pause / Cancel button (1). If you switch off the machine with "On/Off" button when the status is "ON", then the rinse aid indicator will come on when the rinse aid level in your machine becomes low while the machine is in use. If you switch off the machine with "On/Off" button when the status is "OFF", then the rinse aid indicator will never come on.

Cancelling a Programme

Press Start / Pause / Cancel button for three seconds to cancel a program while it is operating. Release the button when the Start / Pause / Cancel indicator lights, at the right of the Start / Pause / Cancel button and the program display start flashing. The machine will process the necessary operations required for cancellation for a couple of minutes. The program is cancelled when the Start / Pause / Cancel indicator light goes off and "End" (10 d) lights on the program follow-up display. You may select and operate a new program after program cancellation process is over. There might be residues of detergent or rinse agent left in the machine and/on the pieces being washed depending on the step the previous program was in at the time of cancellation.

Changing the Programme

Press Start / Pause / Cancel button first to switch your machine into pause mode if you want to change your selection after you started the program. Then, come to the program you like by pressing Program Selection button. Start the new program by pressing Start / Pause / Cancel button again. Your new selection will resume operation from the step in the previous program (For example, if the previous program was in rinsing step, the new one will also start from the rinsing step). If you want to run the newly selected program from the very beginning, you have to apply the cancellation process first and then select a new program.

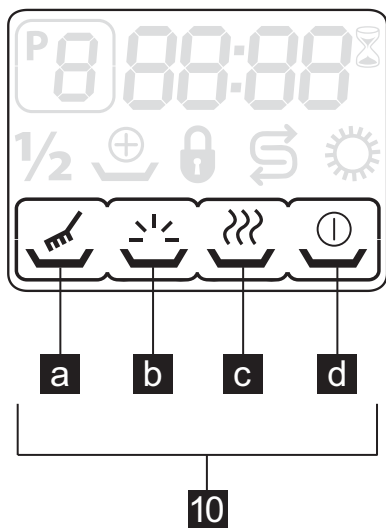
Programme Progress Display

You can follow the step which the program is in from the program follow-up display **(10)** on the screen. This display includes the following steps:

- (10 a)** Washing
- (10 b)** Rinsing
- (10 c)** Drying
- (10 d)** End

Indicators for washing, rinsing and drying steps light respectively on the program follow-up screen while the program is running. The "End" indicator lights when the program is over and Start / Pause / Cancel lamp goes off. Time display shows "00:00".

If extra drying function is not selected in the 30-minute program, indicator of the drying step will not light.



Unloading the dishwasher

Dishes should be allowed to cool for about 15 - 30 minutes after the end of the programme.

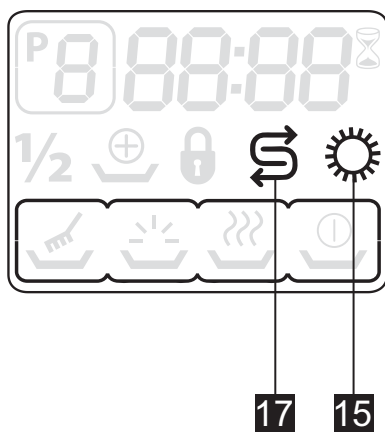
You will improve drying results by leaving the dishwasher door ajar for at least 15-30 minutes as soon as the programme finishes.

! Care must be taken when opening the door, as steam will escape.

First unload the lower, then the upper rack. This prevents drops of water from falling onto the full lower basket when the dishes in the upper basket are being removed.

Salt and Rinse Aid Indicators

When the indicators for salt **(17)** and rinse aid **(15)** light up, the respective reservoirs must be refilled.



Programme table

Programme number	1	2	3	4 Reference (**)	5	6	7	8
Programme name	PRE-WASH	RAPID	DELICATE	ECONOMY	NORMAL	QUICK & CLEAN	INTENSIVE	AUTO SENSING
Cleaning temperature	-	35°C	40°C	50°C	55°C	60°C	70°C	40°C-65°C
Suitable for	Pre-wash to rinse and loosen residue - awaiting full load - then select a Programme	Lightly soiled dishes, 30 minute programme	Delicate dishes and glassware	Most economic programme for normally soiled dishes	Soiled dishes	Normally soiled dishes, A class cleaning in 58 minutes	Heavily soiled dishes requiring Hot pre-wash	Automatically senses water dirtiness level and washes until dishes are completely cleaned
Degree of soiling	Few		Few	Medium	Medium	Medium	High	Medium to high
Detergents A=25 cm / 15 cm B=5 cm	-	A	A	A+B	A+B	A+B	A+B	A
Programme sequence (without options)	Pre-wash End	35°C wash Cold rinse Hot rinse End	Pre-wash 40°C Wash Cold rinse Hot rinse Dry End	Pre-wash 50°C Wash Cold rinse Hot rinse Dry End	Pre-wash 55°C Wash Cold rinse Hot rinse Dry End	60°C Wash Cold rinse Hot rinse Dry End	40°C Pre-wash 70°C Wash Cold rinse Hot rinse Dry End	The programme sequence is adjusted to the amount of soiling
Duration (min)	20	30	71	155	96	58	136	60-157
Water (l)	7	10.2	13.2	13	13.6	10.2	14.8	10.8-14.4
Energy (kWh)	0.5	0.75	0.9	1.05	1.20	1.24	1.45	0.96-1.44
Extra Drying (*)	-	✓	✓	-	✓	✓	✓	-

The consumption values shown in the table were determined under standard conditions. Differences may therefore occur under practical conditions.
 * The consumption figures and duration of the programs marked with (-) are not effected by the selection of extra drying function.

** Reference programme for testing institutes
 The tests in accordance with EN 50242 must be carried out with a full water softener salt dispenser and a full rinse aid reservoir, and using the test programme.

How to clean your dishwasher

How to clean your machine

Cleaning your machine at regular intervals ensures longer product life and reduces the risk of recurring problems. Clean spray arms and in particular filters at least once a week

! Always unplug the appliance and turn off the water supply before cleaning.

To clean the outside of the appliance and the door seal, use a neutral detergent and a damp cloth. To clean the control panel, use only slightly damp cloth.

! Do not use abrasive detergents.

If the appliance is not going to be used for a long period of time, switch off, turn off the water clean and leave the door ajar.

Never attempt to clean, wipe or treat the stainless steel and other surfaces of your appliance with unsuitable material, do not clean or wipe handles and plastic surfaces using stainless steel cleaning materials, otherwise, your guarantee will be void.

STAINLESS STEEL DOOR CLEANING INSTRUCTIONS (ONLY VALID FOR STAINLESS STEEL MODELS WHICH HAVE "X" SUFFIX IN THE MODEL NUMBER)

Stainless steel surfaces of your appliance require special cleaning methods. In order to eliminate marks on doors and to keep your appliance doors clean, we recommend you the following to clean and wipe the stainless steel surfaces of doors:

1. You can purchase special cleaning materials suitable for stainless steel surfaces of kitchen appliances from your local store. Follow the instructions supplied by the manufacturer of such cleaning materials.

2. You can purchase a special micro-fibre cleaning cloth pack called "E-cloth" from your local electrical or hardware store, which is suitable to clean and wipe stainless steel surfaces of kitchen appliances without the need to use any chemicals or other cleaning materials. You just need warm water. You need to follow the instructions supplied inside the packaging of E-cloth.

How to clean the filters and spray arms

filters

For the efficient operation of your dishwasher, check the filters and the spray arms regularly.

There are three different filters in your machine

Main filter
Coarse filter
Micro filter

To remove the coarse and micro filter assembly to clean, turn it anti clockwise as far as it goes and lift it up. Then press the two tongues inwards and pull out the coarse filter.

Pull the main filter off.

Clean all three filters under running tap water with a brush.

Reinsert the main filter in its place.

Place the coarse filter into the micro filter. Ensure the marks align properly.

Turn the coarse filter clockwise until you hear a clicking sound.

It is important that you fit the filters correctly.

Caution : the dishwasher must not be used without filters.

Incorrect repositioning of the filters will produce poor washing results.

Cleaning of the filters is vital to ensure correct operation of the machine.

Lower spray arm

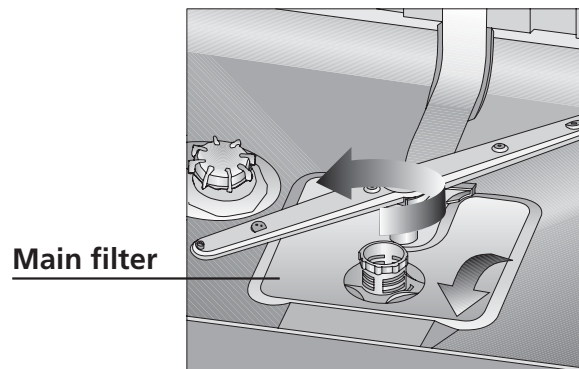
Upper spray arm

Turn the nut anti clockwise and remove both the nut and the spray arm.

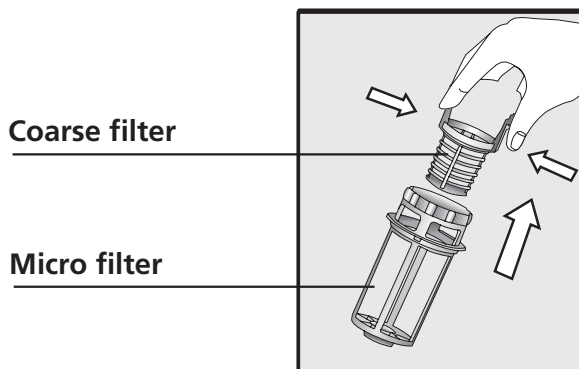
Flush away food particles under running water. Put the spray arm back on and screw on the nut turning clockwise until a clicking sound is heard.

Lower spray arm

Remove the spray arm from its slot by releasing the catches and pulling it upwards. Flush away the food particles under running water. Reinsert the spray arm back into its original position.

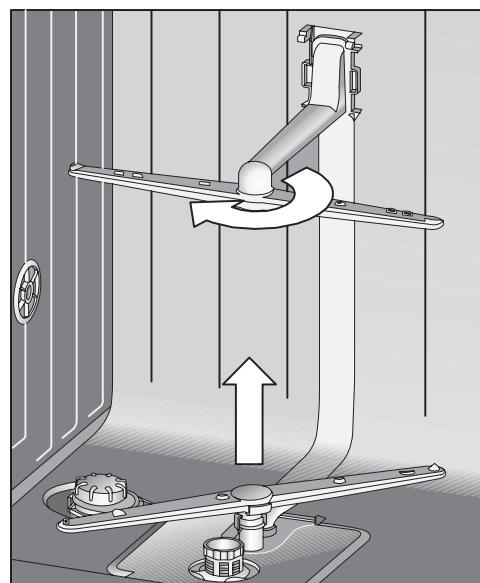


Main filter



Coarse filter

Micro filter



Before calling service / Trouble shooting

Before calling service check the following & Trouble shooting guide supplied on the following page.



Is the machine plugged in?



Is the dishwasher door closed firmly?



Does the fuse need replacing ?



Are the filters clogged?



Is the water mains supply fully turned on?



Is the detergent dosage and/or rinse aid sufficient? Is there enough salt in the water softener?



Is the machine switched on?

TROUBLE SHOOTING GUIDE		
SYMPTOMS	POSSIBLE CAUSES	SOLUTIONS
Spotting / filming / poor cleaning results	Insufficient amount of detergent	Increase the amount of detergent, especially when washing full loads, or in hard water.
	Hard water.	Increase water softener dosage. Use additional detergent, increase rinse agent dosage.
	Spray arms need cleaning	Check the nozzle holes in the spray arms. They may be blocked with a soil particle. Check and clean them periodically.
	Improper loading.	Follow instructions for use for proper loading procedures. Place dishes so water spray reaches all soiled surfaces. Do not overcrowd the baskets since this will block the water spray.
	Insufficient water fill.	Check mains water pressure
	Filter system needs cleaning.	Remove any accumulated or deposited foods. Check and clean them periodically.
	Oversudsing - Prewashing with a liquid dishwashing detergent.	Rinse items thoroughly before putting them in the dishwasher to remove dishwashing detergent.
Small particles (food or detergent) left on items	Water not reaching surfaces, dishwasher overcrowded.	Check to be sure water action is not blocked by dishes. Check filter system for accumulated or deposited food or detergent. Load dishwasher correctly. Keep filter system clean.
	Insufficient water fill.	Check mains water pressure
	Powder detergent stored too long or under adverse conditions.	Use powder detergent within one to two months after purchase. Open one box at a time. Always close pouring spout after each use. Store in a cool, dry place.
	Rinse aid supply depleted.	Add rinse aid to the dispenser.

TROUBLE SHOOTING GUIDE

SYMPTOMS	POSSIBLE CAUSES	SOLUTIONS
Pitting of stainless steel items	Prolonged contact with salty or highly acidic foods or with undissolved or highly concentrated detergent.	Remove spots with silver polish. Rewash. Wash soon after use, or pre-wash items if they will not be washed right away. Do not overload cutlery basket. Avoid spilling or pouring detergent directly on flatware. Make sure dispenser cup is properly closed.
Dishes not dry	Improper loading.	Load so that all items are properly tilted for good drainage. Avoid nesting of dishes and/or silverware.
	Rinse aid supply depleted.	Add liquid rinse aid .
Scratches on glassware	A water or chemical reaction with some glassware. Usually caused by some combination of soft or softened water and alkaline washing solutions reacting with the glassware. Can be accelerated by poor rinsing, overloading and excessive temperature.	The condition may not always be preventable. To minimize the possibility of etching, use minimum amount of detergent.
		Use of the appropriate programme.
		Use of a rinse aid may also help.
Detergent cakes in detergent dispenser.	If using powder detergent, there may be dampness in the dispenser.	Make sure dispenser is dry before adding powder detergent. Start dishwasher immediately.
	If using gel detergent, the detergent may be left in dispenser too long before using.	Start dishwasher soon after adding gel detergent. Do not allow detergent to dry out in dispenser.
	Faulty cover.	Do not overfill. Cover should close tightly. Check cover for fit.
	Improper loading.	Do not place large items in front of dispenser.
	Old detergent.	Use detergent within one to two months of purchase. To assure freshness, buy detergent as needed and no more than one or two at a time. Store in a cool, dry place.
Chipping and breakage of dishes/glasses	Improper loading.	Load with care following the instructions for use. Place glassware so it does not touch the other dishes. Remove from dishwasher carefully.
Odour in dishwasher	Dishes washed only every two or three days.	Use the pre-wash cycle at least once a day until a load accumulates, or hand rinse dishes before loading dishwasher.
	A dirty filter system may contribute to a bad odour.	Clean filter system.